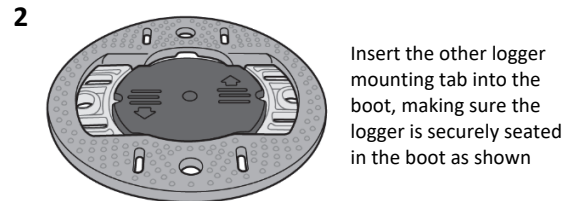
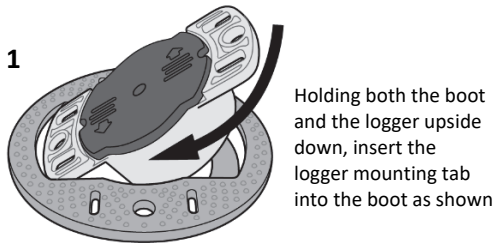
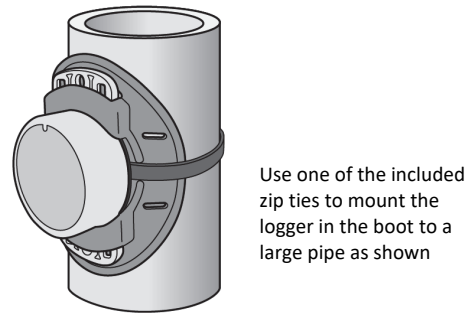
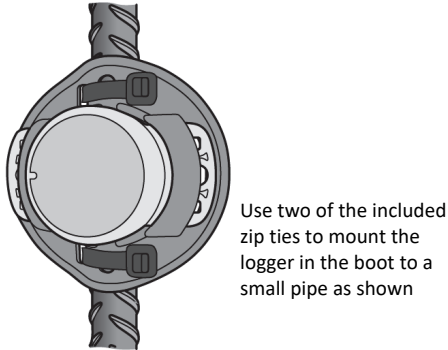


MX2201/MX2202 Mounting Boot (BOOT-MX2201-2202) Manual

Installing the Logger in the Mounting Boot

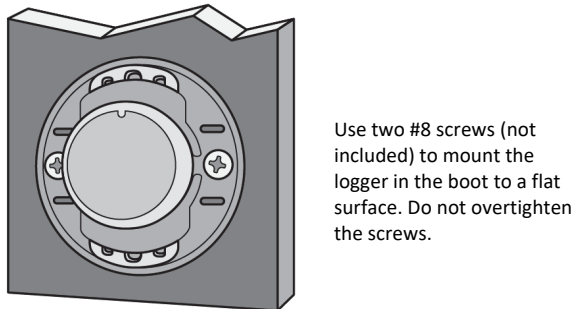


Mounting the Logger in the Boot to a Pipe



24847-A MAN-BOOT-MX2201-2202

Mounting the Logger in a Boot to a Flat Surface



For detailed mounting and deployment guidelines, refer to the logger manual. Go to www.onsetcomp.com/support/manuals/21536-mx2201-mx2202-manual or scan the code at left.

